

TEMPLATE KEY

FINISHED SIZE

See Banner Sizes Below

SAFE AREA

3.5" from finished edge

— = PIN SLOT

Using PMS colors in your art is recommended but an exact match cannot be guaranteed.

BANNER B: 26.75"W x 31.188"H

QTY: 2

BANNER C: 29.5"W x 28.5"H

QTY: 5

BANNER D: 26.75"W x 56"H

QTY: 1

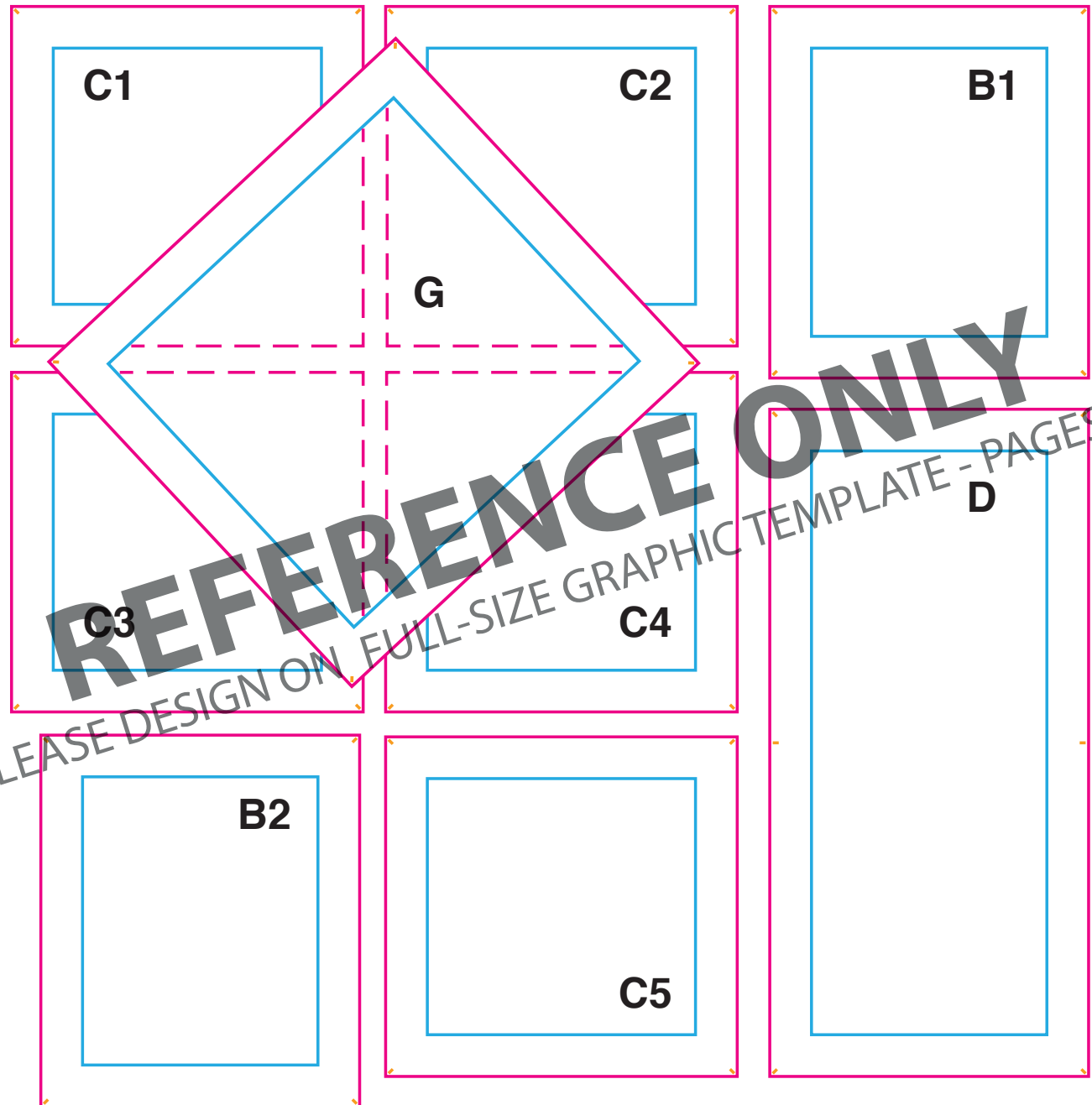
BANNER G: 37"W x 39.5"H

QTY: 1

IMPORTANT NOTE:

- THIS TEMPLATE SHOWS PRINT LAYOUT ONLY.
- EACH BANNER HAS ITS OWN UNIQUE ANGLE AND STRETCH WHEN ATTACHED TO THE FRAME.
- IT IS HIGHLY RECOMMENDED TO KEEP TEXT AND LOGOS WITHIN THE SAFE AREA TO AVOID DISTORTION.

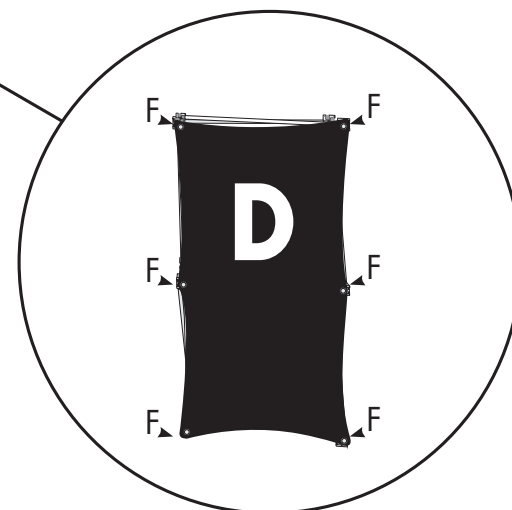
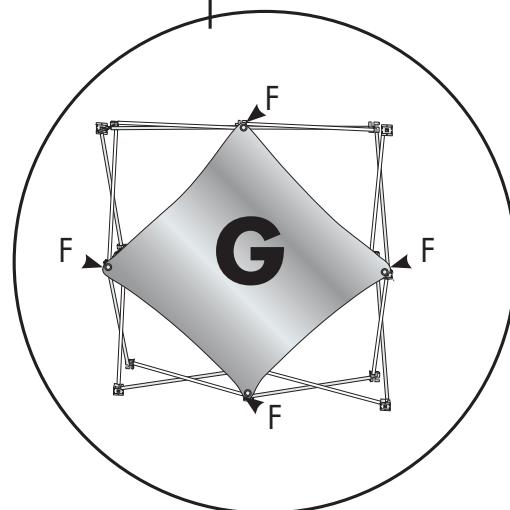
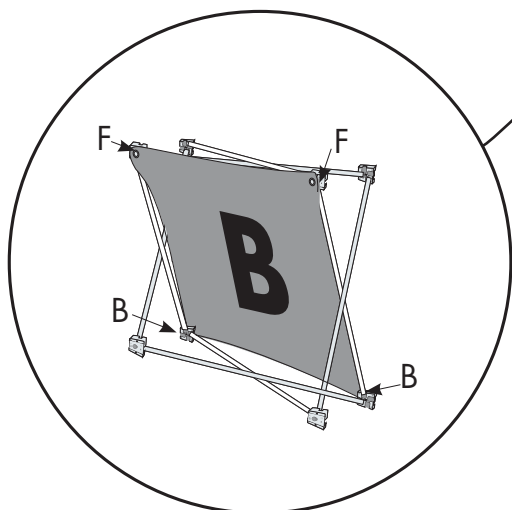
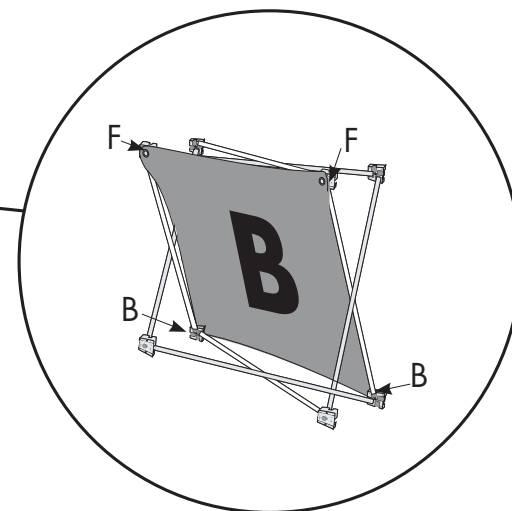
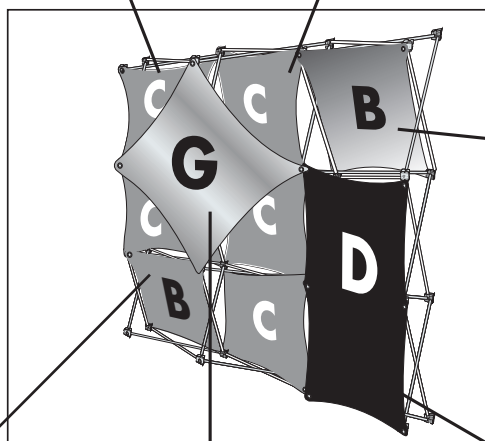
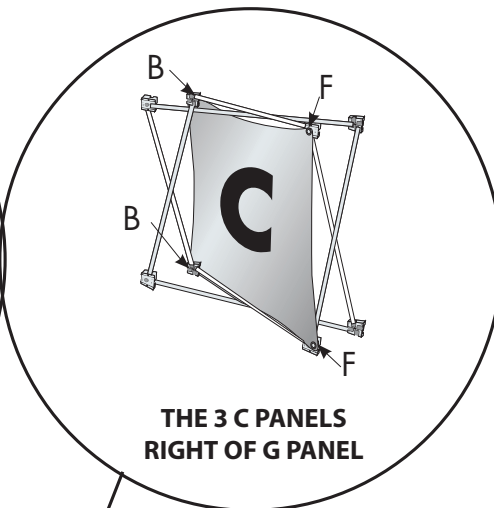
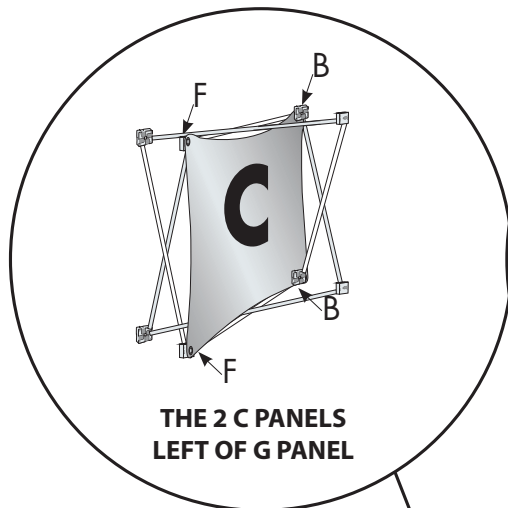
SEE PAGE 2 FOR REPRESENTATION
OF POSITION ON FRAME



EACH BANNER IS FABRICATED TO FIT A SPECIFIC ANGLE/POSITION ON THE FRAME.

B=BACK
F=FRONT

Item# 337122, 337112,
337101, 338090



Banner B

**PLEASE DELETE THIS LAYER
BEFORE SAVING**

**All images must be embedded
All fonts must be outlined**

**Submit 2 Art Files
labeled B1 & B2**

FINISHED AREA - 26.75"W x 31.188"H

VISIBLE WHEN DISPLAYED

SAFE AREA - 19.75"W x 24.188"H

KEEP IMPORTANT TEXT/LOGOS WITHIN THIS AREA

Banner C

**PLEASE DELETE THIS LAYER
BEFORE SAVING**

**All images must be embedded
All fonts must be outlined**

**Submit 5 Art Files
labeled C1-C5**

FINISHED AREA - 29.5"W x 28.5"H

VISIBLE WHEN DISPLAYED

SAFE AREA - 22.5"W x 21.5"H

KEEP IMPORTANT TEXT/LOGOS WITHIN THIS AREA

**PLEASE DELETE THIS LAYER
BEFORE SAVING**

**All images must be embedded
All fonts must be outlined**

FINISHED AREA - 26.75"W x 56"H

VISIBLE WHEN DISPLAYED

SAFE AREA - 19.75"W x 49"H

KEEP IMPORTANT TEXT/LOGOS WITHIN THIS AREA

**PLEASE DELETE THIS LAYER
BEFORE SAVING**

**All images must be embedded
All fonts must be outlined**

**Banner G
-47° angle**

37"

FINISHED AREA - 37"W x 39.5"H

VISIBLE WHEN DISPLAYED

SAFE AREA - 30"W x 32.5"H

KEEP IMPORTANT TEXT/LOGOS WITHIN THIS AREA

39.5"